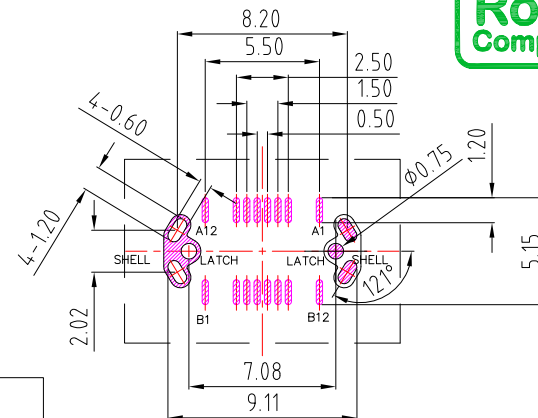
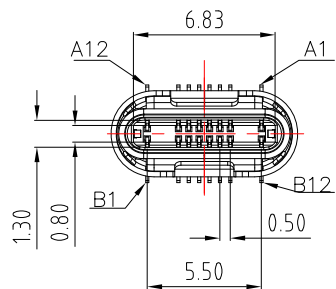




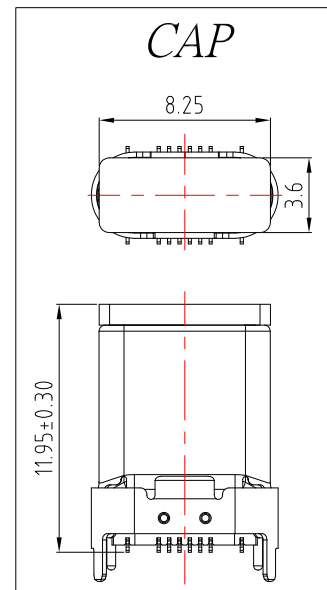
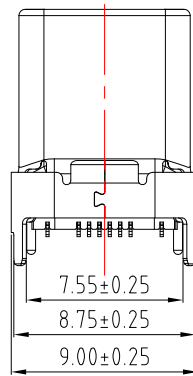
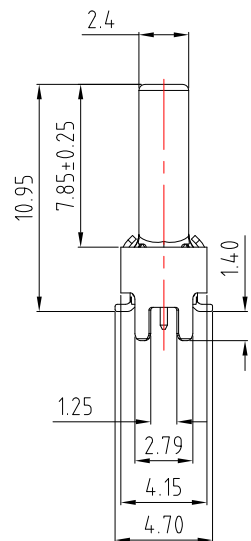
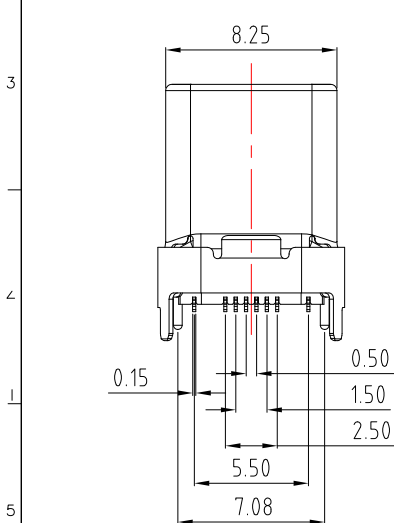
SBC-161VSE1-20x-S338

鍍層厚度:

Blank : 1u"
2 : 15u"
3 : 30u"



RECOMMENDED P.C.B. LAYOUT



PINS DESCRIPTION
PLUG FRONT VIEW

A12	A11	A10	A9	A8	A7	A6	A5	A4	A3	A2	A1
GND			VBus	SBU1	D-	D+	CC	VBus			GND
GND			VBus	Vconn			SBU2	VBus			GND
B1	B2	B3	B4	B5	B6	B7	B8	B9	B10	B11	B12

SPECIFICATIONS

Material:

- 1.Housing: LCP
- 2.Contact: C7025
- 3.Shell: SUS

Finish:

- 1.Contact: Plated Gold in Mating Area ;
Tin Plated on Solder Balls ;
Nickel under plated overall
- 2.Shell: Nickel under Plated surface layer

CONTACT 建倚科技股份有限公司
CONTACT TECHNOLOGY CORP.

TOLERANCE UNLESS
OTHERWISE STATED:

Up to 5 ±0.2
Above 5 ~ 15 ±0.3
Above 15 ~ 30 ±0.4
Above 30 ~ 50 ±0.5
Angle ±0.3°

3RD.
ANGEL'S



UNITS

MM

DRAWN BY: Jack Lu
CHECKED BY: Jacky Chen
APPROVED BY: Tony Kao

DATE: 03/29/22
DATE: 03/29/22
DATE: 03/29/22

MAT'L		TITLE	CONNECTOR
FINISH		MODLE	TYPE C M 直立式 SMT H10.95 拉伸款
SCALE	1 : 1	DWG NO.	SBC-161VSE1-20x-S338
SHEET NO.	1 of 1	PART NO.	SBC-161VSE1-20x-S338

2	更新尺寸標示位置	Jack	032922
1	更新樣式和pcb layout尺寸	Jack	032322
ITEM NO.	DESCRIPTION	DRAWN	DATE